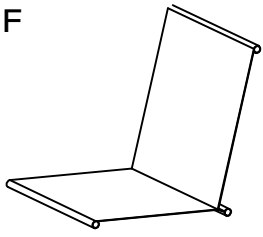


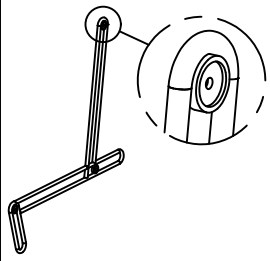
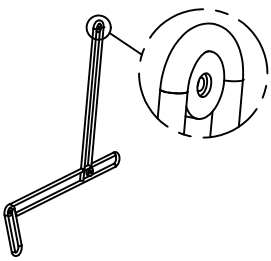
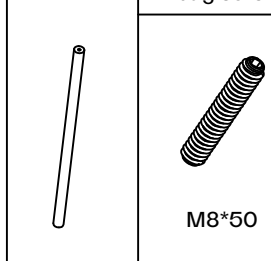



A	B	C	D	E	S	F	
A-bag screws						B-bag screws	 <p>1PC</p> <p>Pay attention to distinguish the length of Textilene, the long side is back and short side is seat.</p>
							
M8*20	4mm				M8*50		
6PCS	1PC	1PC	1PC	3PCS	3PCS		

Don't tighten the screws until you have all screws on.

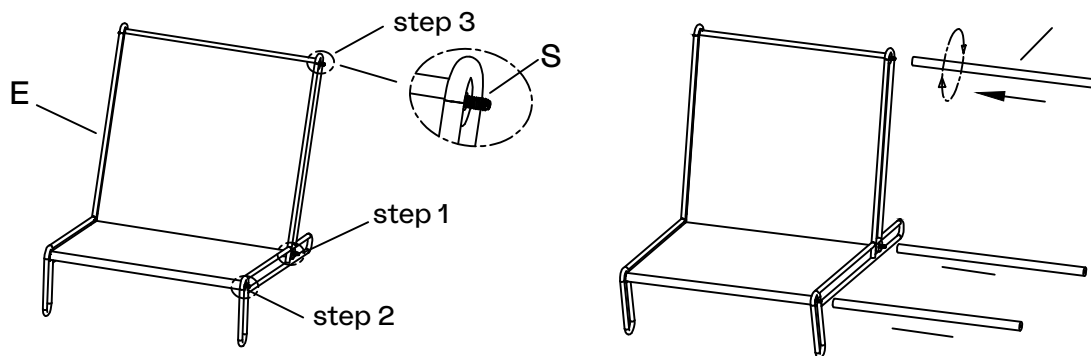
Don't tighten the screws until you have all screws on.
 Use A-bag screws

If the chair is wobbling, Please push the "high" front down and push the opposite back pole backwards.

1

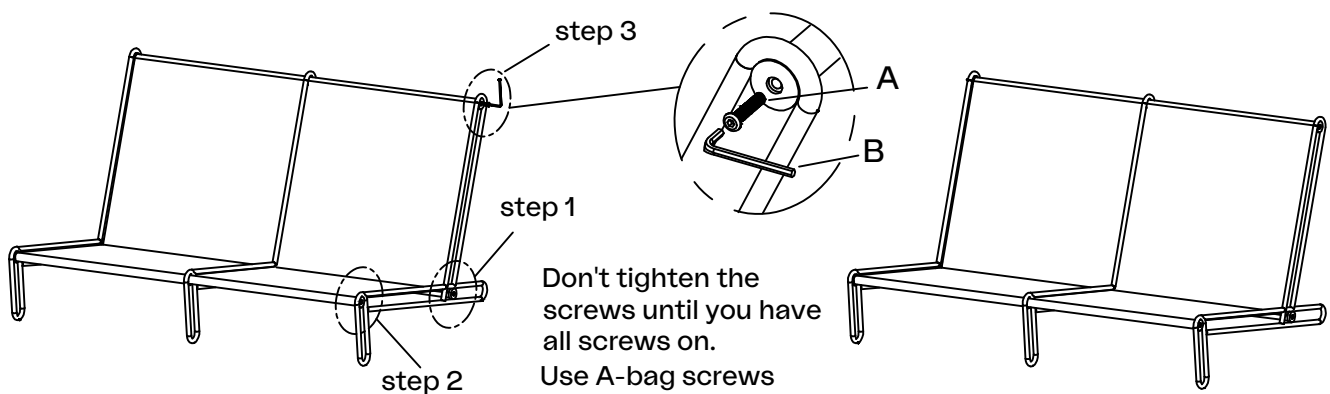
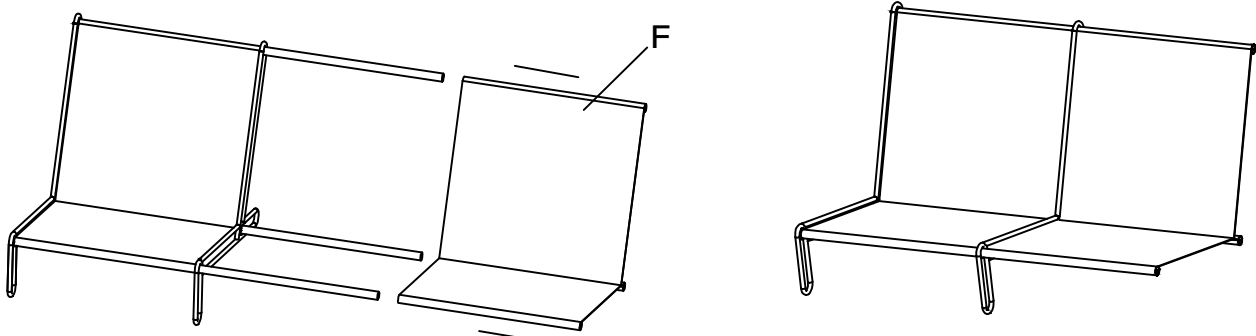
Assembly instruction

Blixt is a buildable sofa set. If you want to extend it to be a 2-seater sofa, please follow below instructions after you have finished assembling the lounge chair.



For easier assembly, We suggest assemble middle and front pole first, and then fix the screw for the backrest one.

tighten the "C" before assemble the "F"



Don't tighten the screws until you have all screws on.
Use A-bag screws

For easier assembly, We suggest assemble middle and front pole first, and then fix the screw for the backrest one.