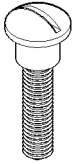

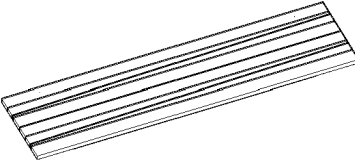
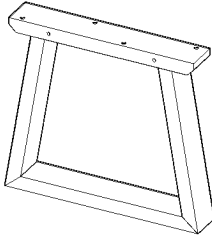
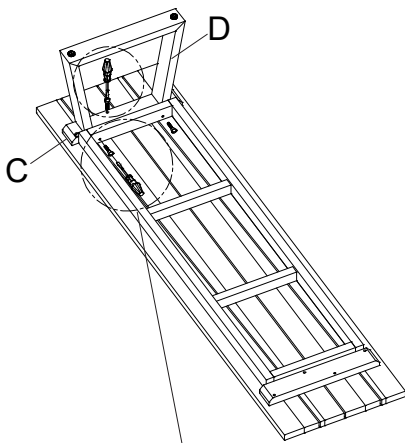
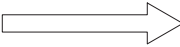
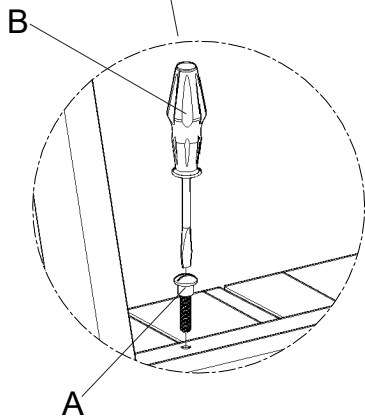
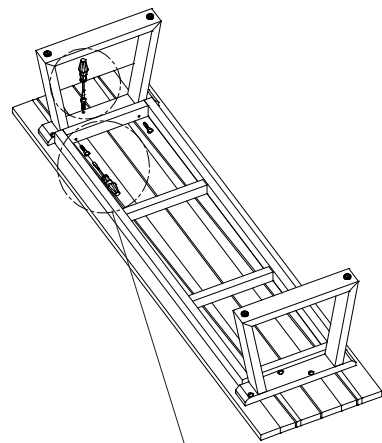


Assembly instruction

A	B	C	D
 <p>Minus Bolt 45 mm</p>	 <p>Flat Head Screwdriver</p>		
18PCS	1PC	1PC	2PCS




 use the same
 method to assemble
 the other side



Please always use
the minus bolt on table.

Don't tighten
the minus bolt until you have
all screws on.

