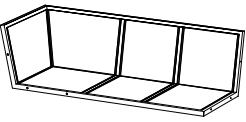
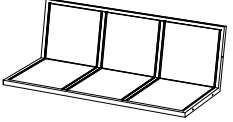
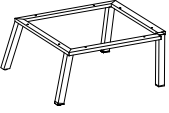
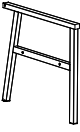
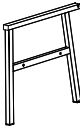
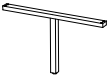
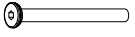
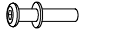


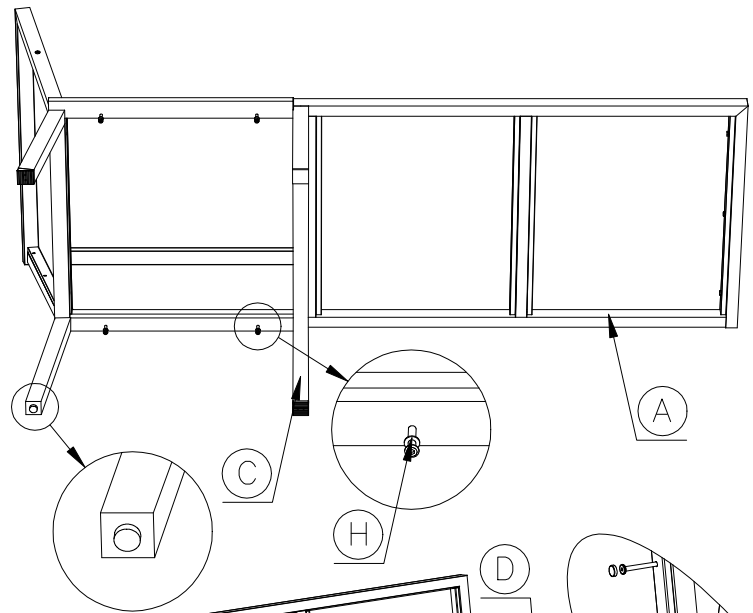
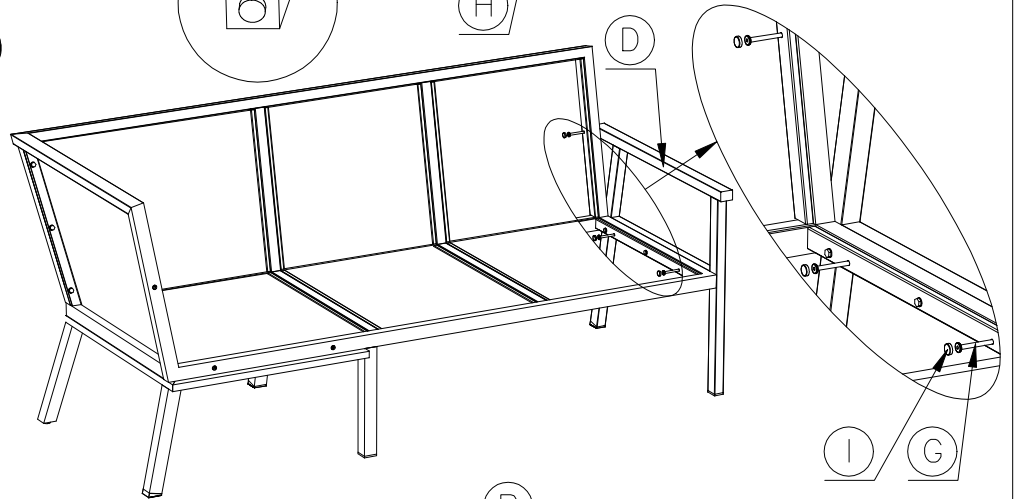


|     |  |   |
|-----|--|---|
| (A) |              | 1 |
| (B) |             | 1 |
| (C) |             | 1 |
| (D) |             | 1 |
| (E) |             | 1 |
| (F) |             | 1 |
| (G) | <br>M6*60  | 9 |
| (H) | <br>M6*30 | 8 |
| (I) |           | 9 |
| (J) |           | 1 |

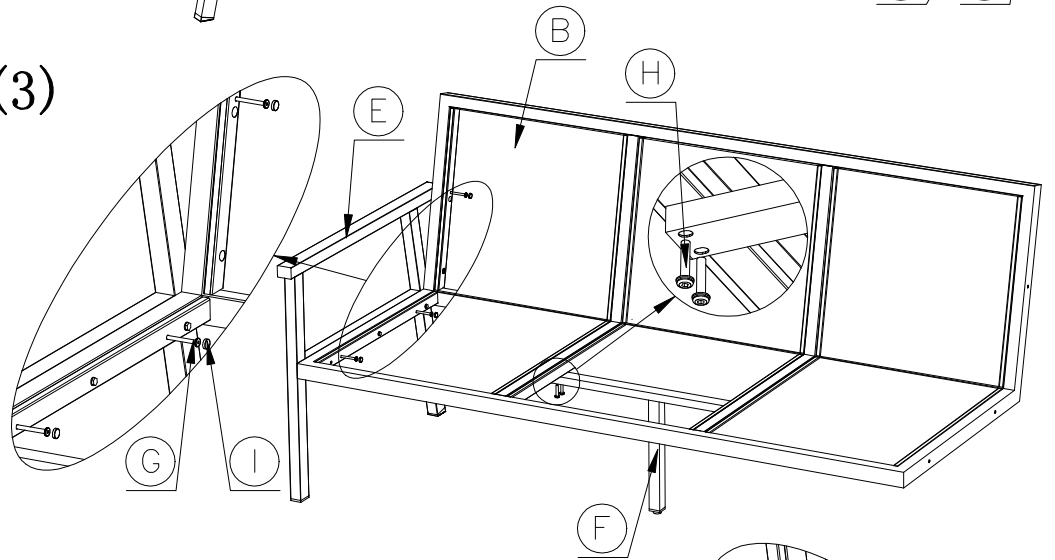
(1)



(2)



(3)



(4)

