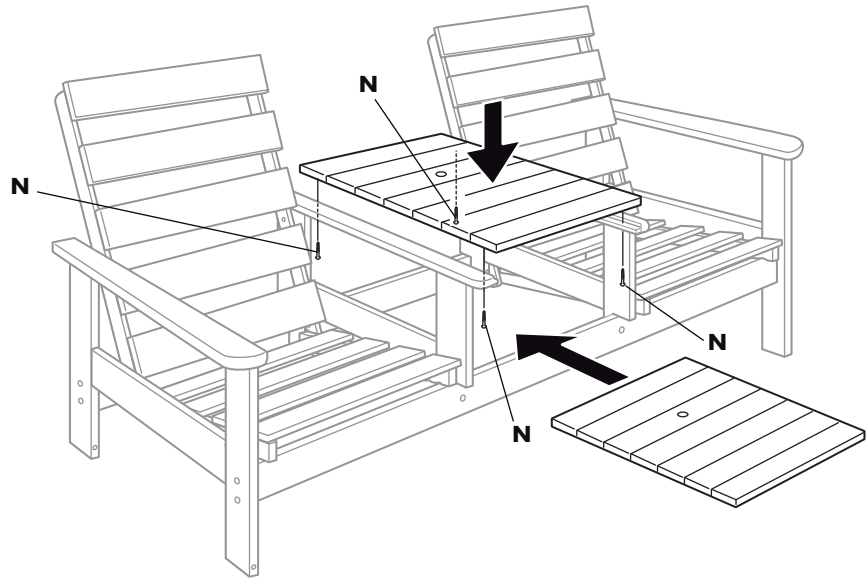
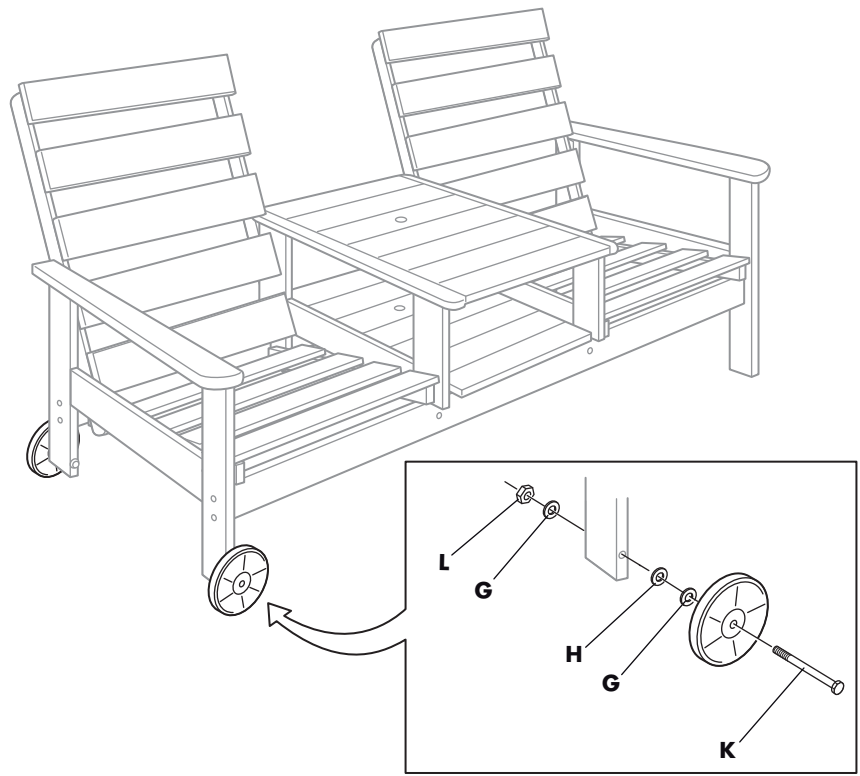


5

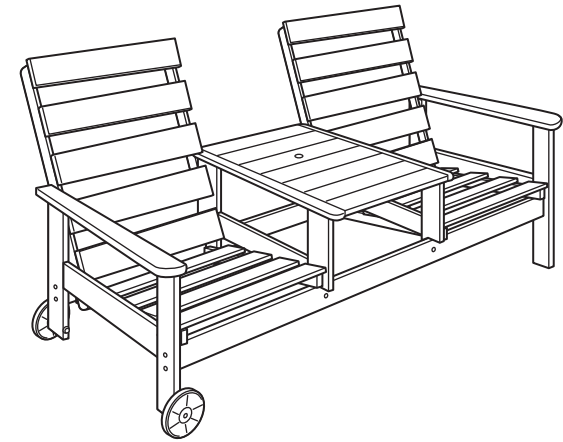


6



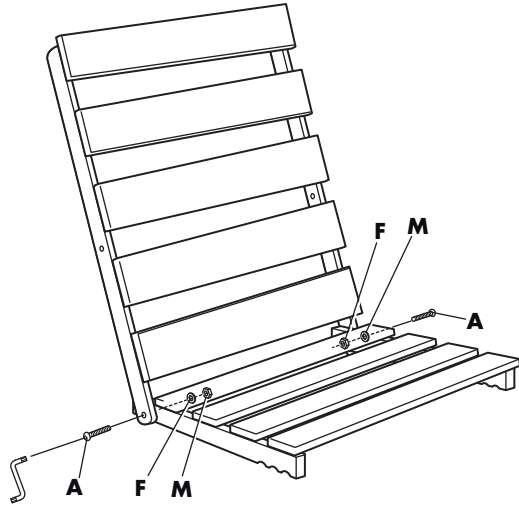
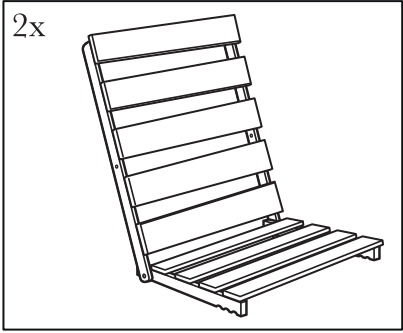
DUOJA

MONTERINGSANVISNING - ASSEMBLY INSTRUCTIONS
 MONTAGE - MONTAGEANLEITUNG
 KASAUSOHJEET

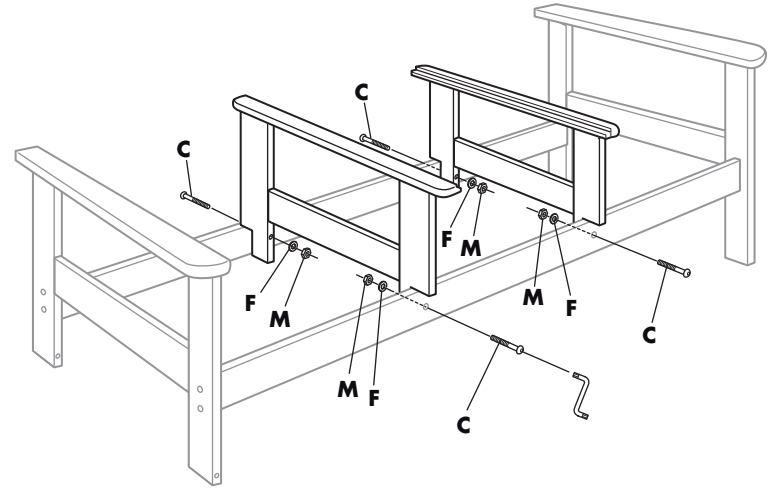


<p>Insexnyckel, 4/5 1x</p>	<p>Sargsprint 10x50 mm J = 4x</p>	<p>Låsmutter M8 L = 2x</p>	<p>Låsmutter M6 M = 12x</p>
<p>M6 x 30 A = 4x</p>	<p>Träskruv 3,5 x 20 N = 4x</p>	<p>Bricka 7 x 16 x 1,5 mm F = 12x</p>	<p>Metallbricka M8 G = 2x</p>
<p>M6 x 60 B = 2x</p>	<p>M6 x 70 C = 4x</p>	<p>Plastbricka 30 x 5 x hål 12 mm H = 2x</p>	<p>Plastbricka 30 x 5 x hål 7 mm O = 4x</p>
<p>M6 x 80 D = 8x</p>	<p>M6 x 90 E = 2x</p>	<p>Vagnsbult K = 2x</p> <p>M8 x 140</p>	

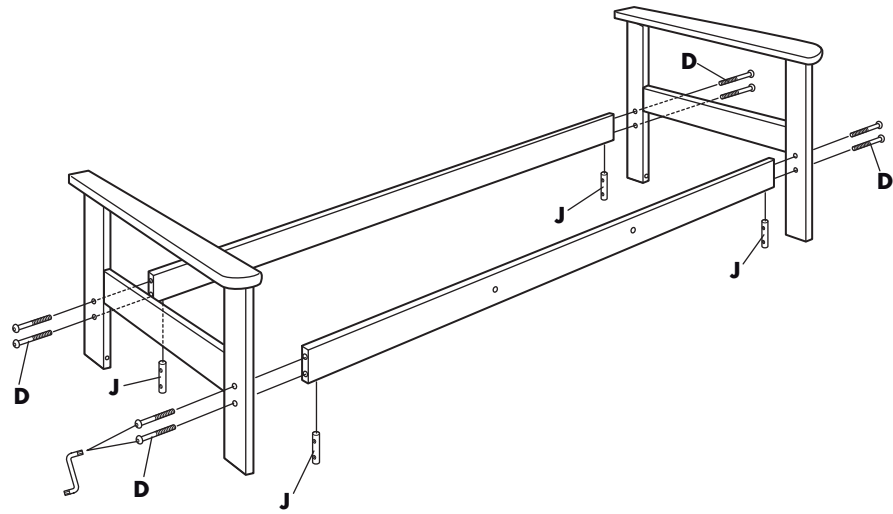
1



3



2



4

