
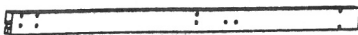


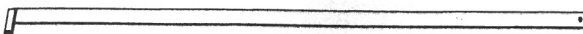
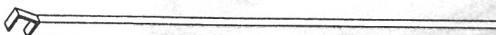
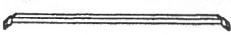

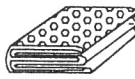
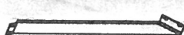



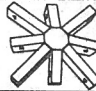









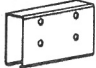

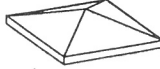




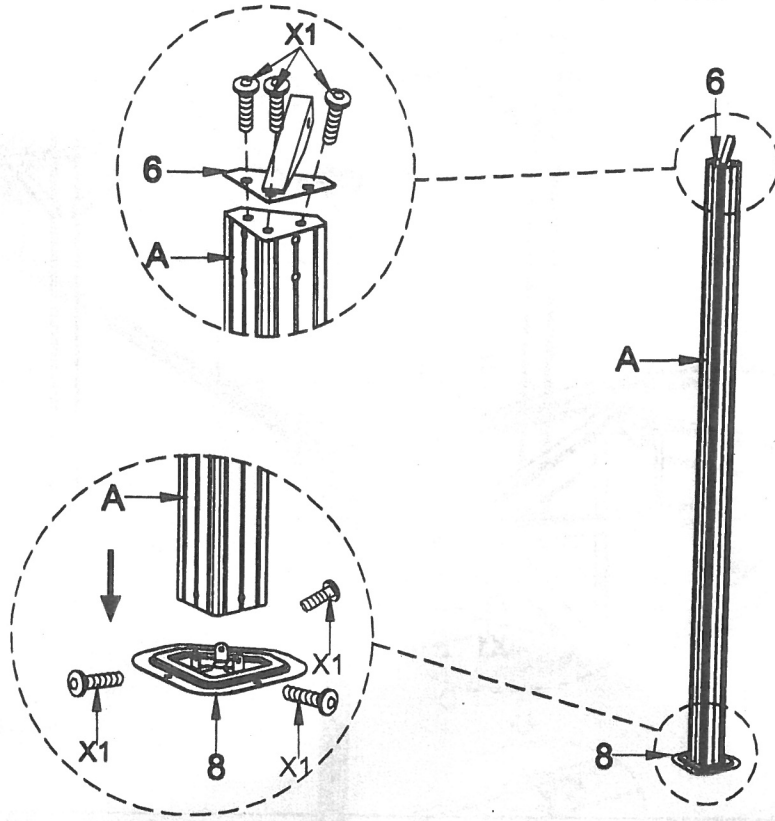


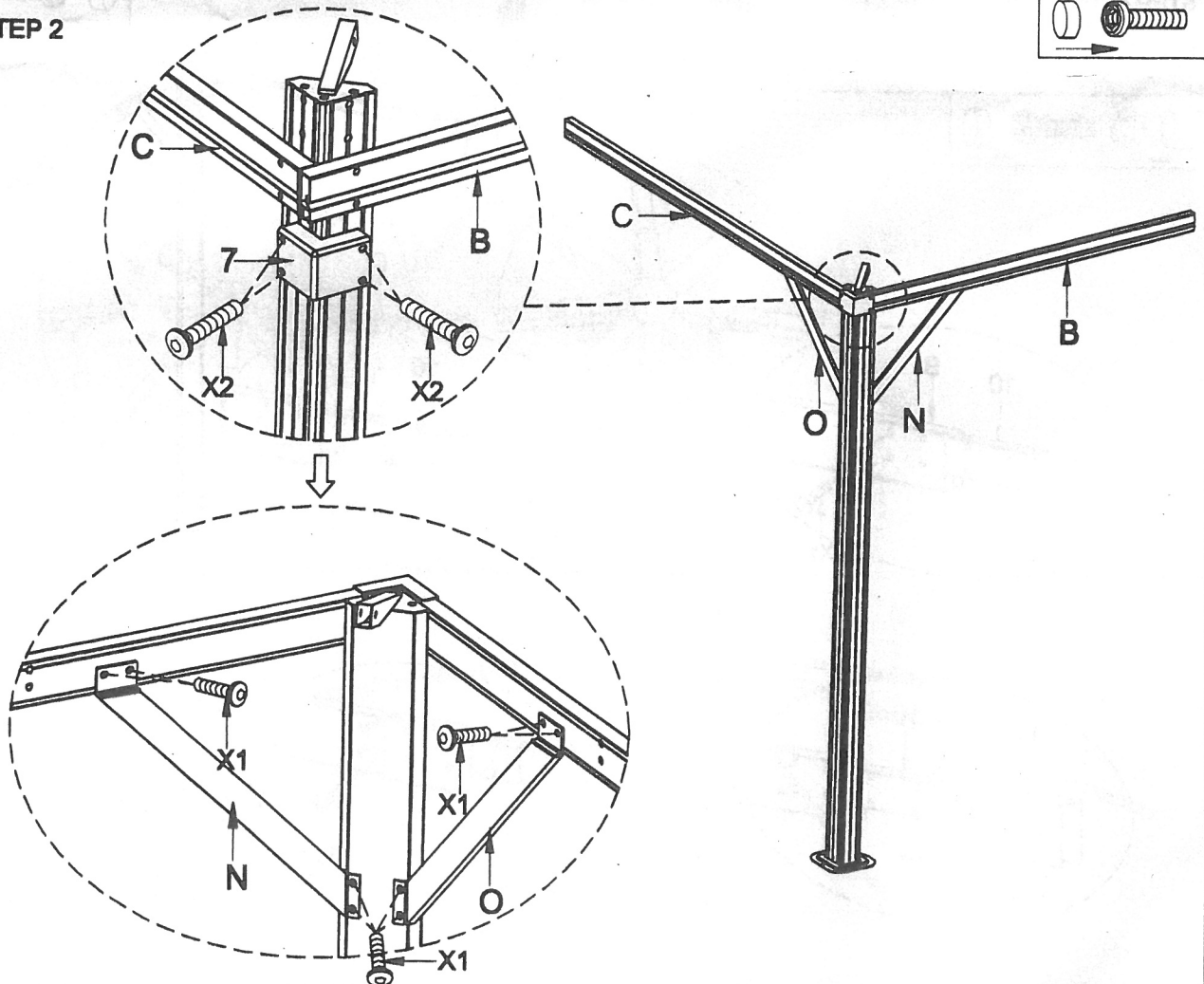
NO.	PARTS		QTY
A			4pcs
B			4pcs
C			4pcs
F			4pcs
G			4pcs
K			8pcs
P			4pcs

NO.	PARTS	QTY	NO.	PARTS	QTY
N		4pcs	14		4pcs
O		4pcs	15		80pcs
3		4pcs	16		16pcs
5		1pc	17		1pc
6		4pcs	18		1pc
7		4pcs	19		136pcs
8		4pcs	20		12pcs
10		4pcs	21		4pcs
11		4pcs	X1	 M6*15	108pcs
12		1pc	X2	 M6*40	16pcs
13		4pcs	X3	 M6*30 	12pcs

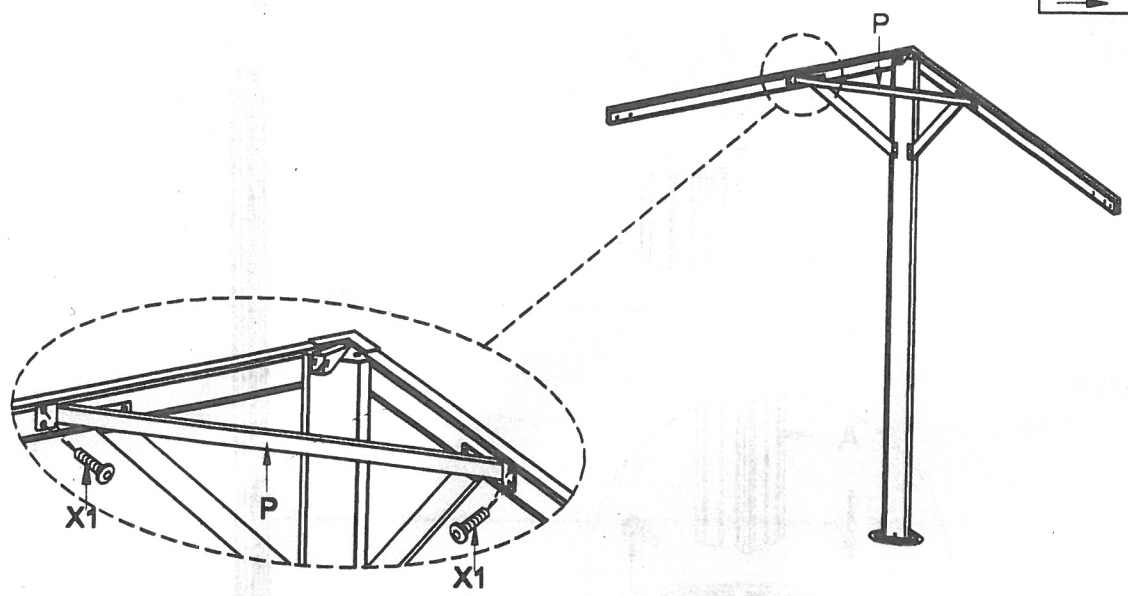
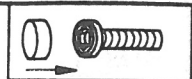
STEP 1



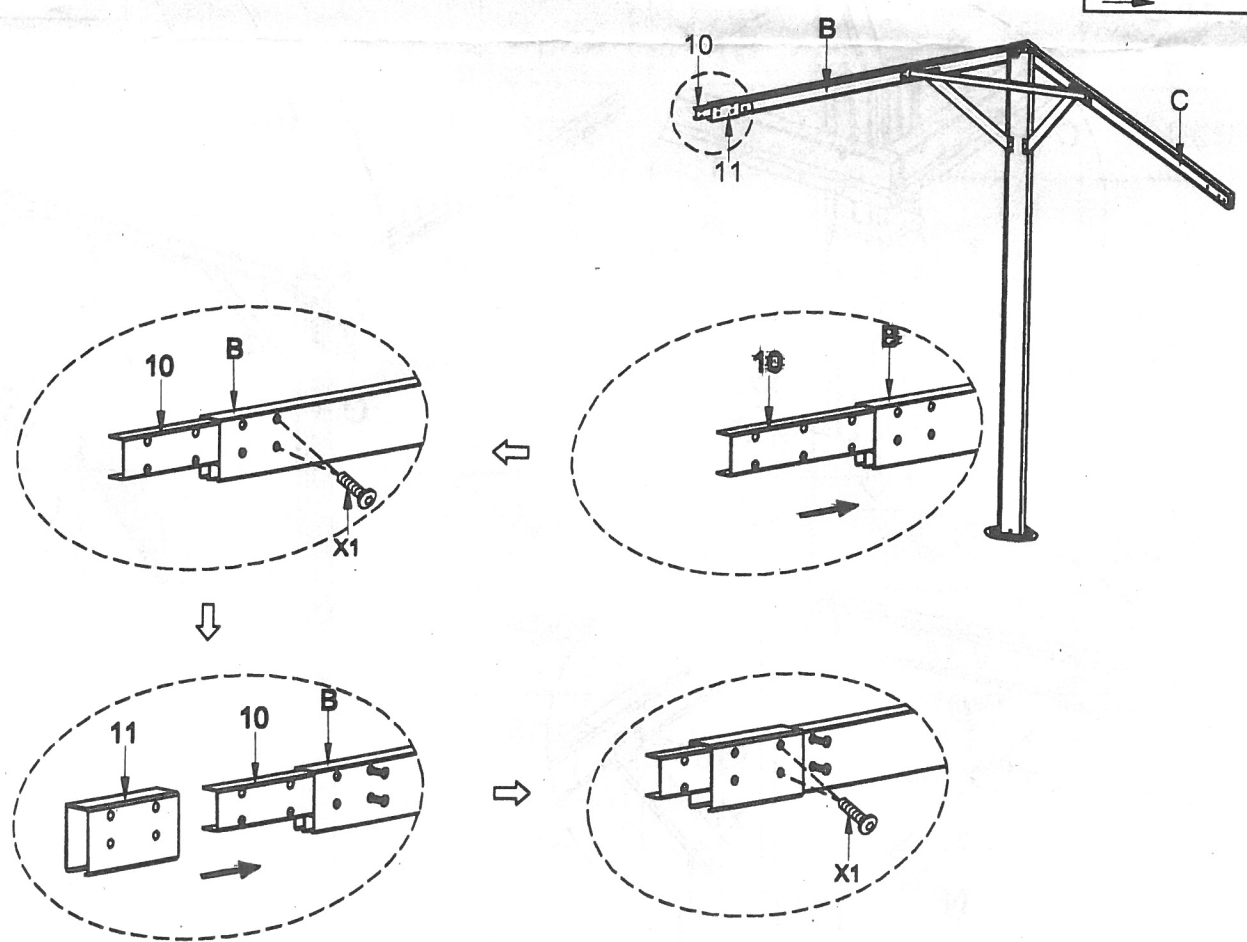
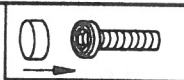
STEP 2



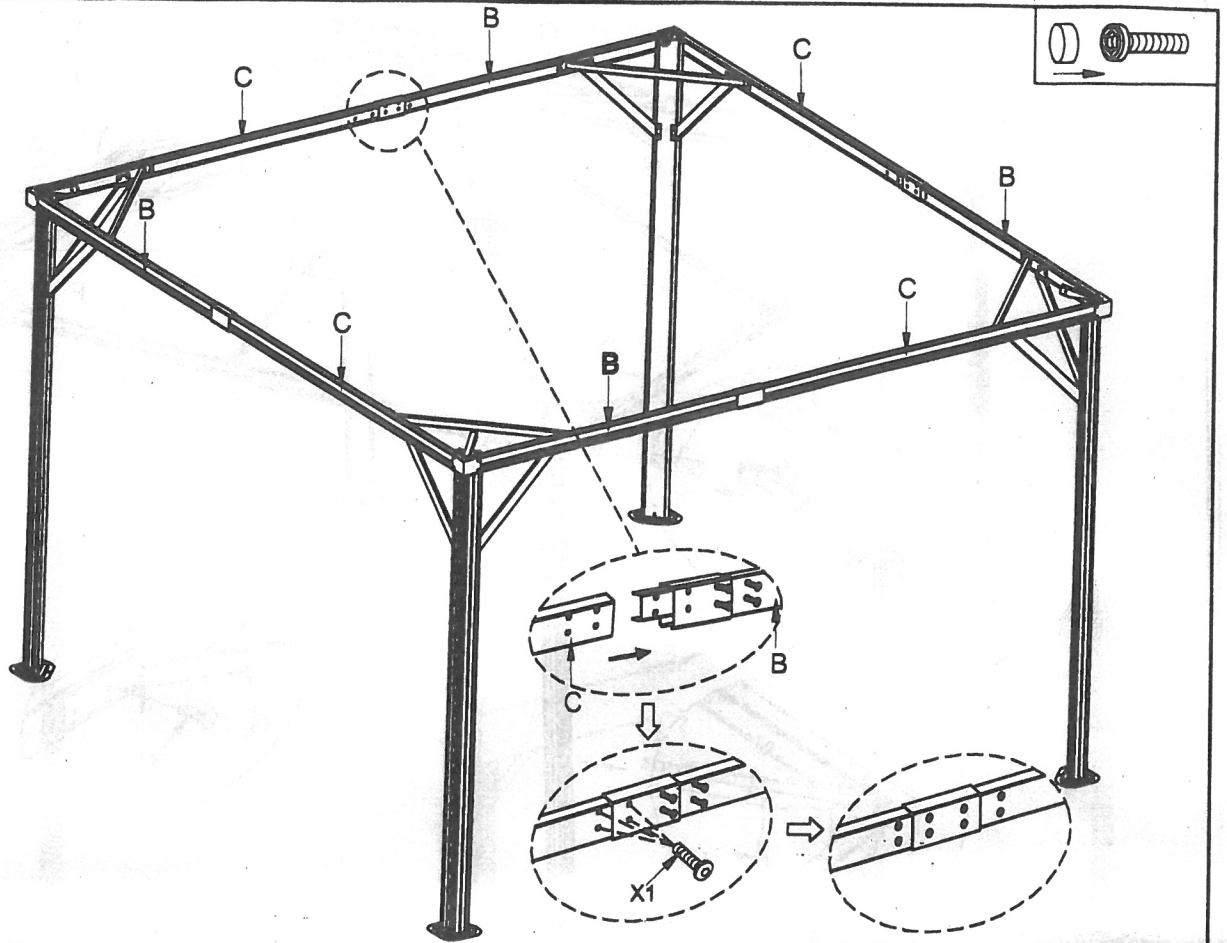
STEP 3



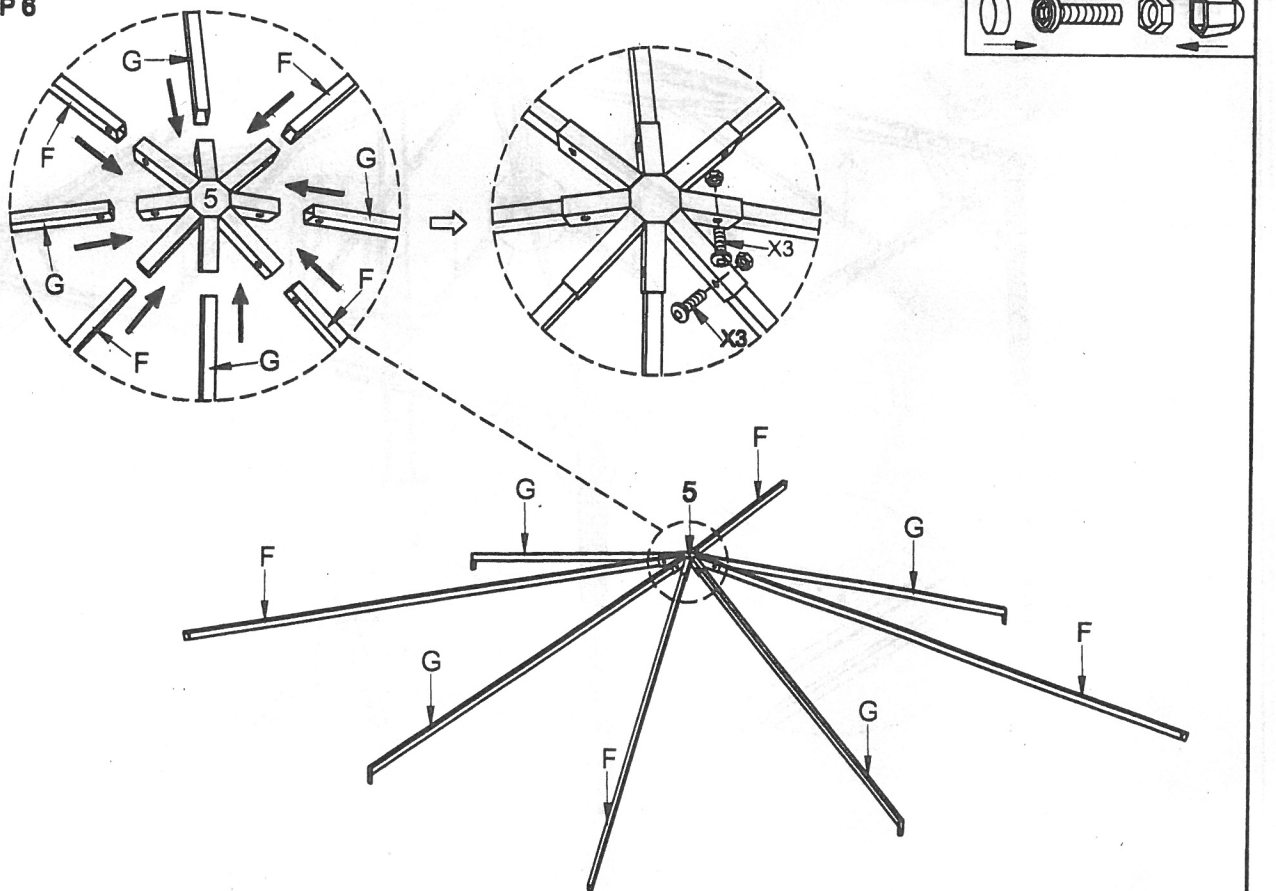
STEP 4



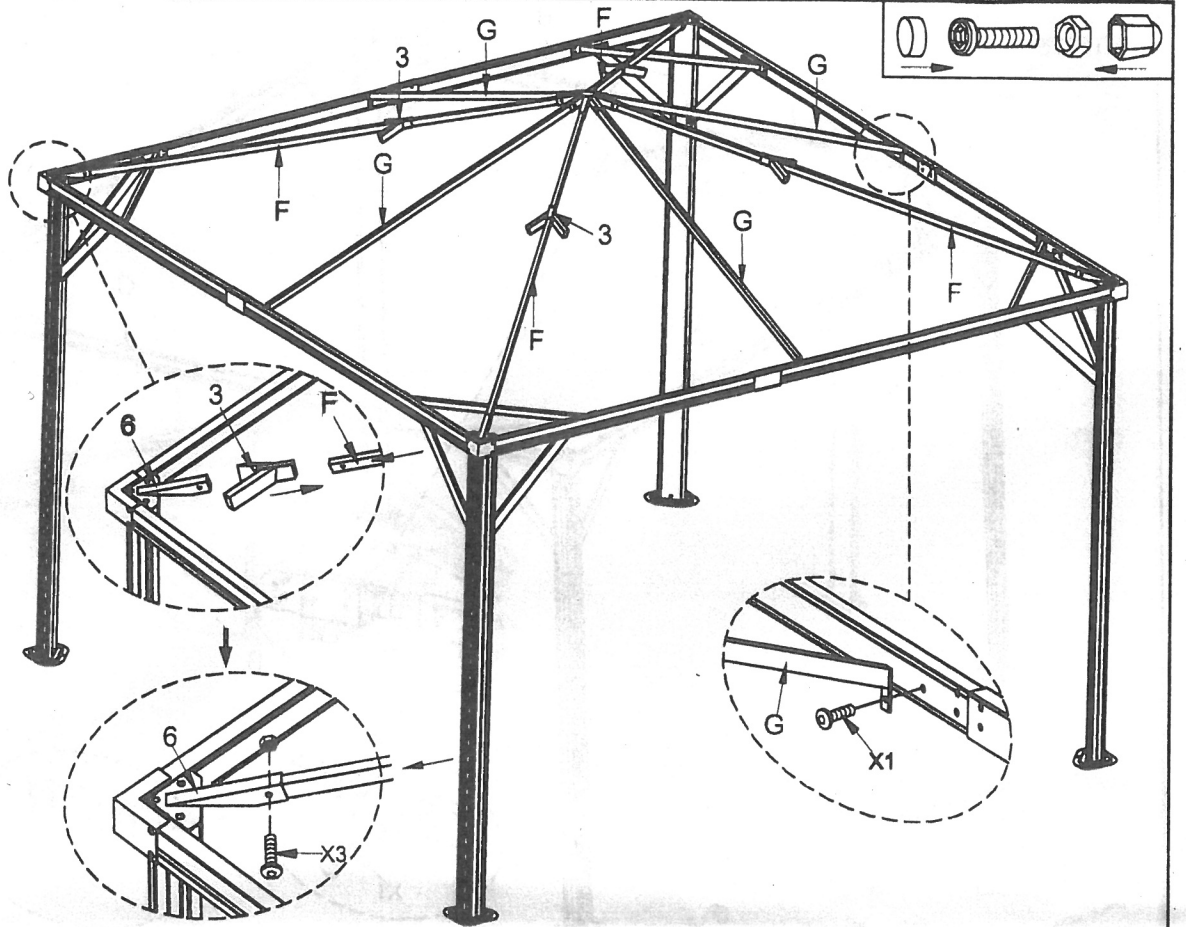
STEP 5



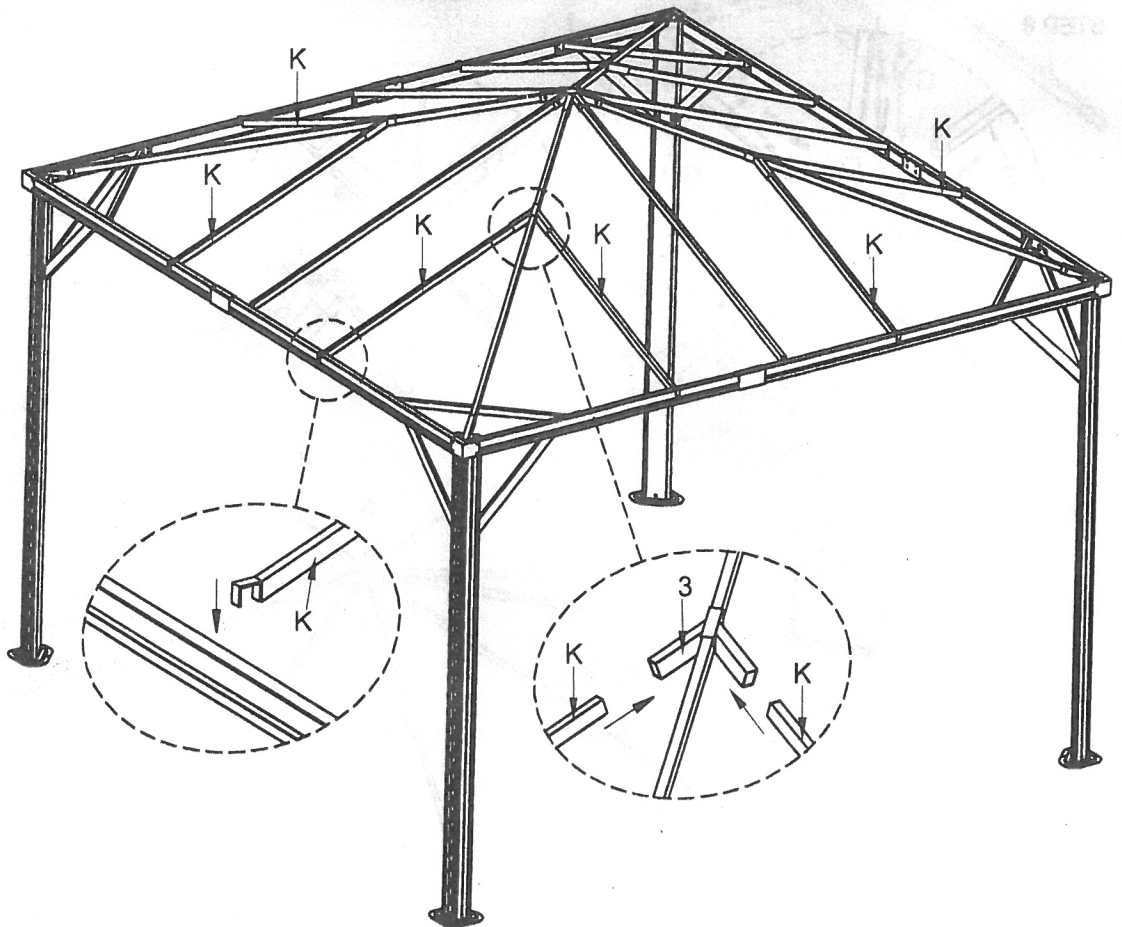
STEP 6



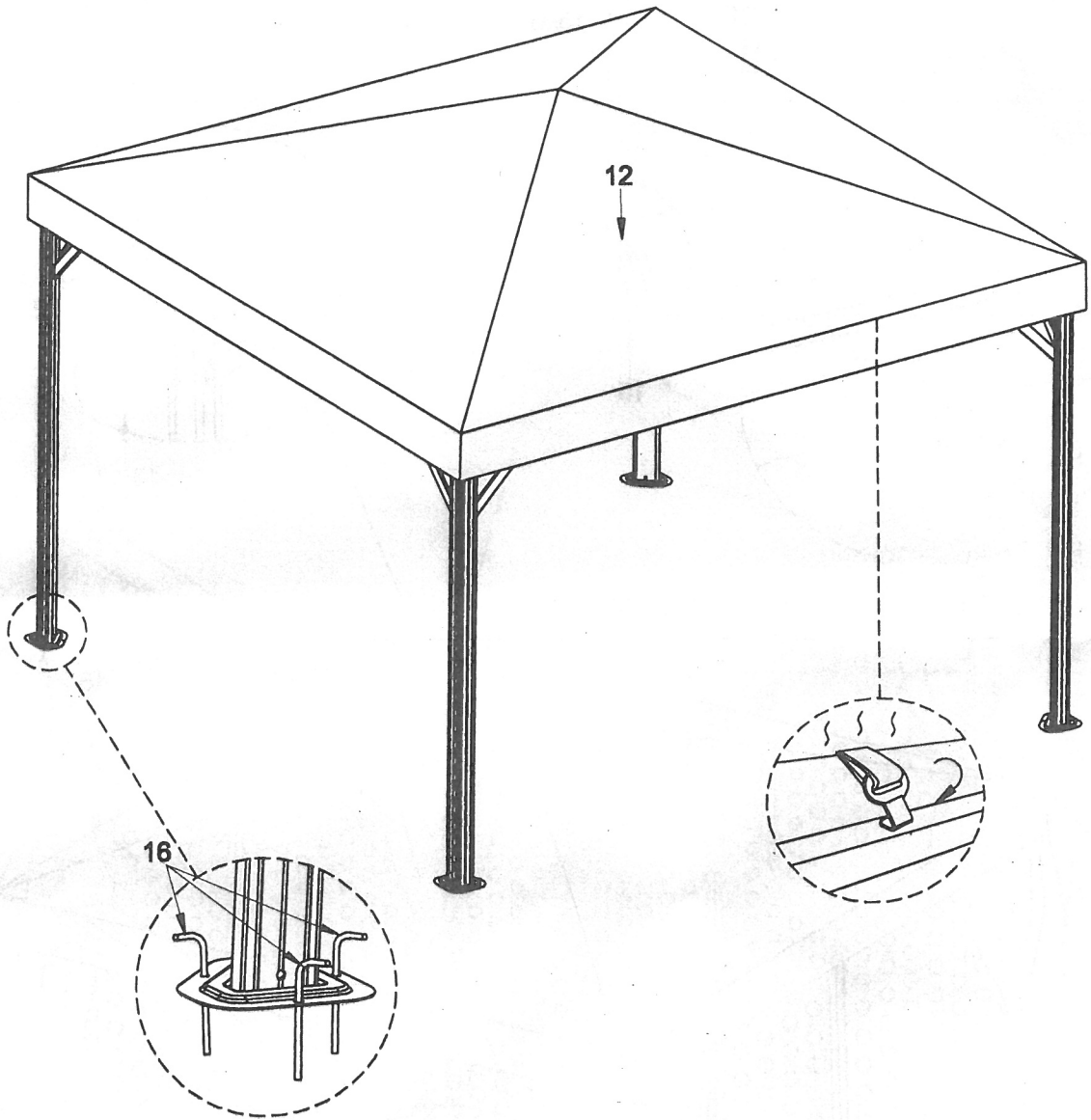
STEP 7



STEP 8



STEP 9



STEP 16

